

Tech Master GPP410 Series

4.5 Purity Single Stage Brass Barstock Diaphragm
Outlet Point Regulator – Acetylene



The Tech Master GPP410 Series single stage diaphragm outlet point regulators are designed for secondary pressure gas control of technical Acetylene gas up to grade 4.5 purity (99.995%), on gas distribution systems.

■ **GPP410 Series** | Single Stage Diaphragm Outlet Point Regulator – Acetylene

★ FEATURES

- Three port configuration
- Rear point mounting (1/4 NPT male)
- Encapsulated seat design
- Low wetted surface area
- Full range of outlet fittings
- Rear entry

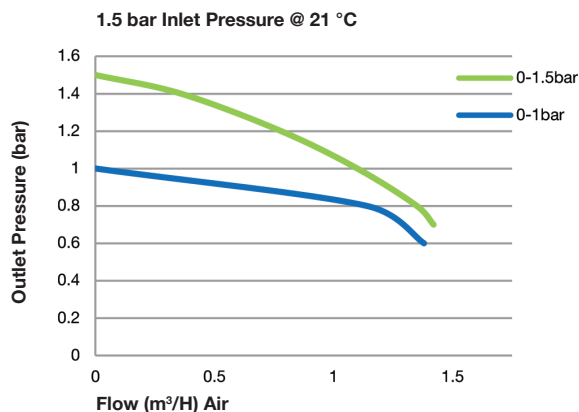
📁 MATERIAL

■ Body	Brass Barstock
■ Bonnet	High Strength Alloy
■ Diaphragm	Polychloroprene (Neoprene®) (CR)
■ Seat	Polyamide (Nylon®)
■ Filter	10 Micron 316L Stainless Steel

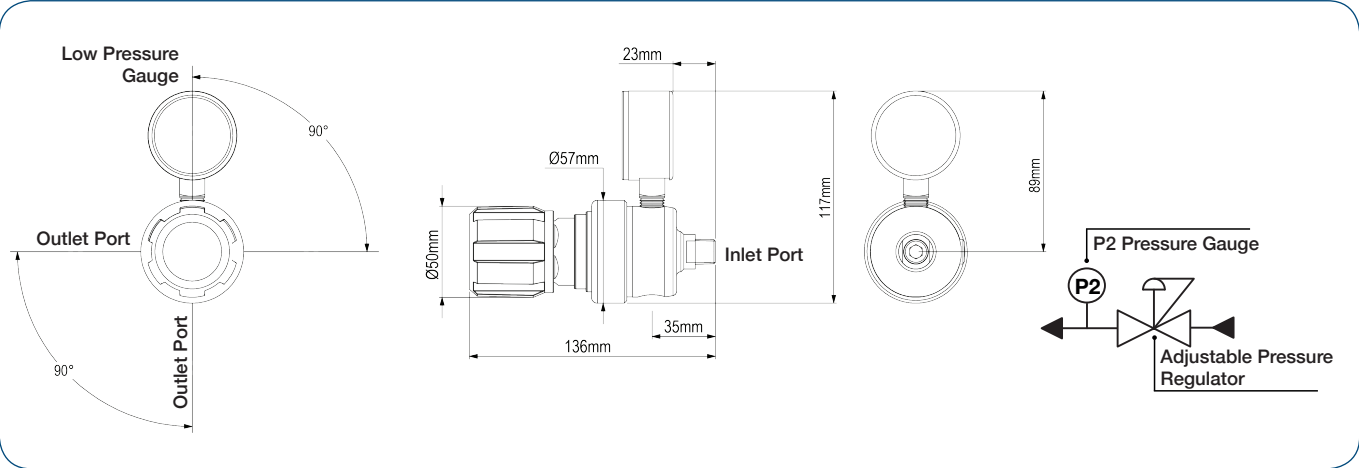
👍 SPECIFICATION

■ Maximum Inlet Pressure	1.5 bar (22 PSI)
■ Delivery Pressure Range	1.0 bar (15 PSI) 1.5 bar (22 PSI)
■ Gauges	50mm (2") Diameter
■ Ports	1/4" NPT Female
■ Temperature Range	-20° C to +60° C (-4° F to +140° F)
■ Weight	1.1 kg (2.5 lbs)

✓ FLOW PERFORMANCE



DRAWINGS



MODEL NO. SELECTOR GUIDE

Example for a Model No. for GPP410 Series

Product Type	Inlet Pressure Bar [PSI]	Outlet Pressure Bar [PSI]	Inlet Pressure Gauge	Outlet Pressure Gauge	Inlet Connection	Outlet Connection	Options
GPP410	07 1.5 bar [22]	01 0 to 1.0 [15]	00 No Gauge Fitted	00 No Gauge Fitted	004 1/4 NPT Male	00 1/4 NPT Female	A No Options Selected
		02 0 to 1.5 [22]		01 bar/PSI		01 1/8 Stainless Steel Compression	K Certificate of Conformity (CoC)
				10 Plugged Port		02 1/4 Stainless Steel Compression	P Calibration / Pressure Test Certificate
						03 6mm Stainless Steel Compression	X Special Instruction
						04 1/4 NPT Male	
						05 1/4 SAE Flare Brass Male	
						08 G3/8 BSP L/H Brass Male	